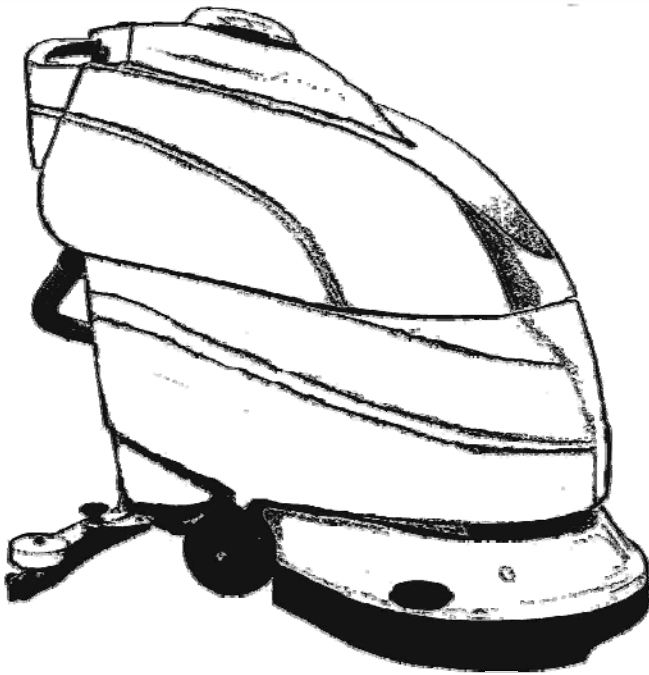




# L 2



## Parts Manual



9006822  
Rev.02 (12-2013)

Only use TENNANT Company supplied or equivalent parts. Parts and supplies may be ordered online, by phone, by fax or by mail.

Follow the steps below to ensure prompt delivery.

1. Identify the machine model.
2. Identify the machine serial number from the data label.
3. Ensure the proper serial number is used from the parts list.
4. Identify the part number and quantity.  
Do not order by page or reference numbers.
5. Provide your name, company name, customer ID number, billing and shipping address, phone number and purchase order number.
6. Provide detail shipping instructions.

---

v -- identifies an assembly  
γ -- identifies parts included in assembly  
D -- identifies a recommended stock item

**Please fill out at time of installation for future reference.**

Model No. -- \_\_\_\_\_

Serial No. -- \_\_\_\_\_

Machine Options -- \_\_\_\_\_

Sales Rep. -- \_\_\_\_\_

Sales Rep. phone no. -- \_\_\_\_\_

Customer ID Number -- \_\_\_\_\_

Installation Date -- \_\_\_\_\_

### **Tennant Company Shanghai**

Building 1, No. 3777, Cao Ying Road  
Shanghai Qingpu Industrial Zone  
Shanghai 201712  
People's Republic of China  
Phone: (86--21) 6922--5333  
[www.tennantco.com.cn](http://www.tennantco.com.cn)

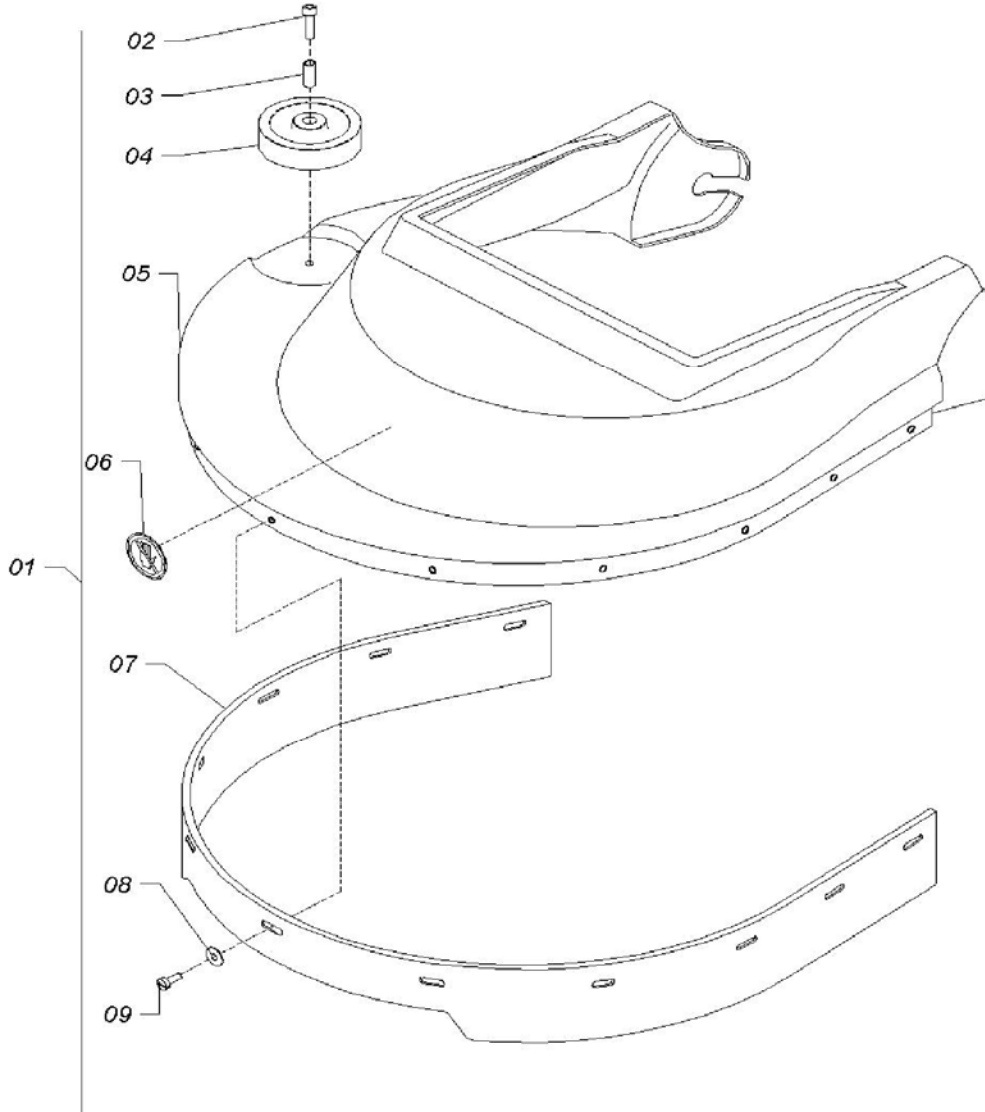
Specifications and parts are subject to change without notice.

Copyright ©2006, 2007, 2008, 2013 TENNANT  
Company, Printed in China

# CONTENT

Ref.	Part No.	Description	Page
01	FX11000C	COVER KIT, BRUSH	02
02	MT12850	BRUSH KIT 44CM	04
03	MT12870	PAD HOLDER, UPPER KIT, DISK 44CM	06
04	9000450	SQUEEGEE KIT	08
05	FX14000C	BASE KIT	10
06	FX16000C	CHASSIS KIT	12
07	FX19000C	TANK KIT,SOLUTION	14
08	FX20000C	TANK KIT,RECOVERY	16
09	FX22000C	PANEL KIT	18
10	FX22070	ELECTRICAL SCHEMATIC DRAWING	21
		Parts not shown	
	9006820	MANUAL, OPRTR [L2]	
	9006822	MANUAL, PARTS [L2 CHINESE]	
	1039084	LABEL, LOGO, 05.5L WHITE / TL [TENNANT]	
	1057327	LABEL, SIDE, MODEL [L2]	
	1028077	LABEL [READ MANUAL,ISO]	
	1030494	LABEL HZRD FLAMMABLE CE	
	1064016	CARTON, 1010MM X 580MM X 1070MM [L2]	
	1064020	CRATE ASSY, SHIPPING [L2]	
	1064024	BAG, SHIPPING [L2]	
	RB1100	BLADE, SQGE, RBR [PROTECTION]	

# COVER KIT



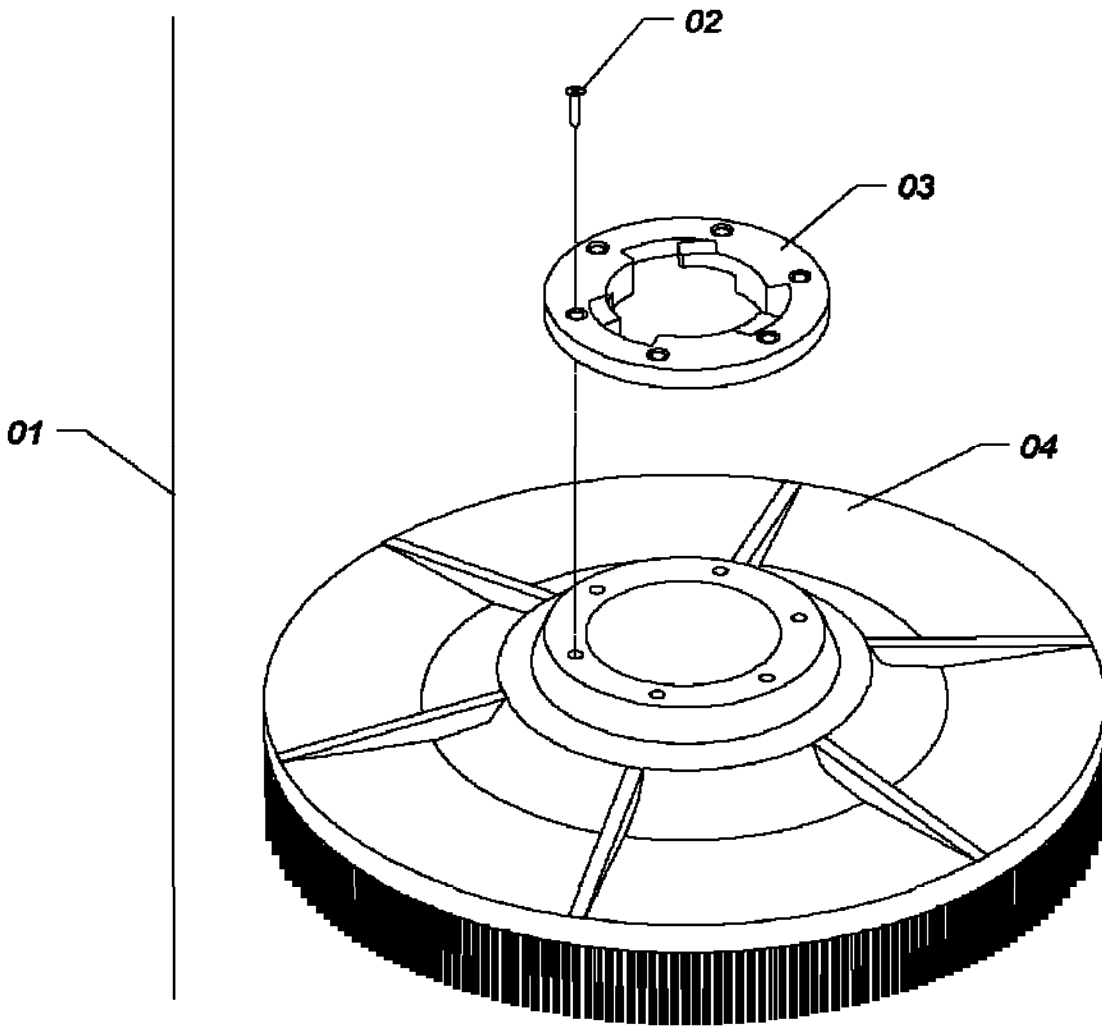
---

# COVER KIT

<b>Ref.</b>	<b>Part No.</b>	<b>Description</b>	<b>Qty</b>	<b>Harmonized code</b>
01	FX11000C	COVER KIT, BRUSH	1	8479.90.90
02	TS1132-23N	SCREW CCSI M6X30	1	7318.15.00
03	FX11040	BUCHING, COVER	1	7318.29.00
04	FX11020	CASTER, COVER	1	3926.90.90
05	FX11010C	COVER, BRUSH	1	3901.10.10
06	MT11040C	LABEL, BRUSH	1	3506.91.20
07	FX11030	BLADE, COVER, BRUSH	1	4008.21.00
08	01683	WASHER, FLAT, 5.4 X 16.0 X 1.0 INOX	11	7318.22.00
09	MT42006	SCREW CC M5X20 STAINLESS STEEL	11	7318.15.00
	06549	NUT, HEX, LOCK, M5 X 0.80, NL	11	Connect with 09

---

# BRUSH KIT

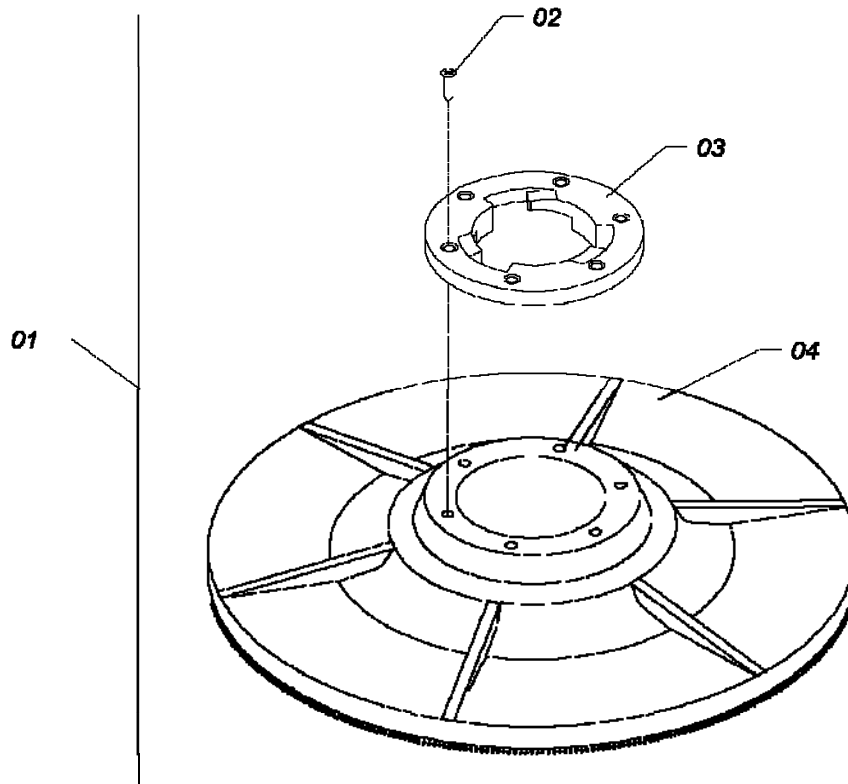


## BRUSH KIT

<b>Ref.</b>	<b>Part No.</b>	<b>Description</b>	<b>Qty</b>	<b>Harmonized code</b>
01	MT12850	BRUSH KIT 44CM	1	NO

---

# SUPPORT KIT

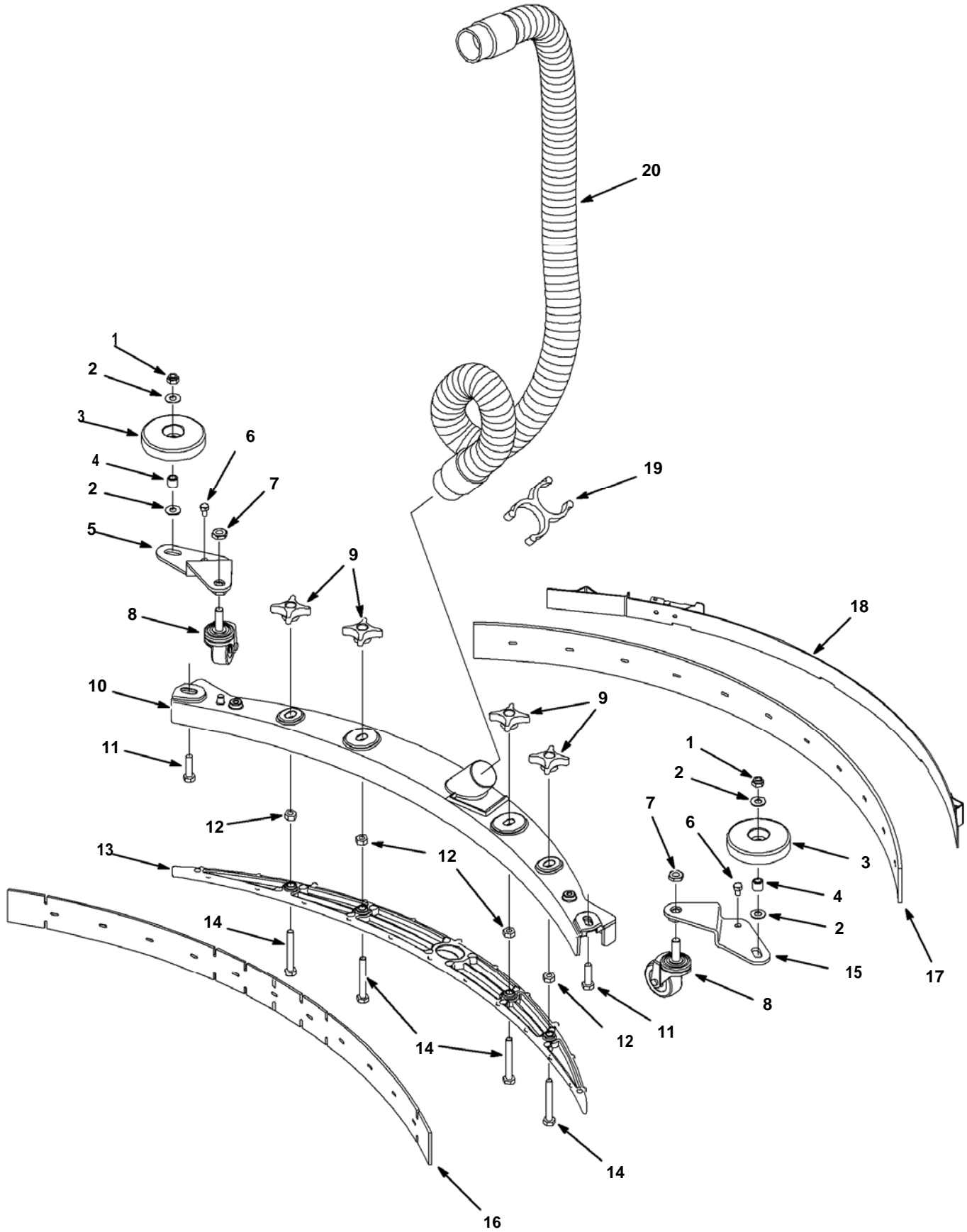




# SUPPORT KIT

<b>Ref.</b>	<b>Part No.</b>	<b>Description</b>	<b>Qty</b>	<b>Harmonized code</b>
01	MT12870	Pad, Holder, Upper kit, Disk 44cm	1	NO

# SQUEEGEE KIT



# SQUEEGEE KIT

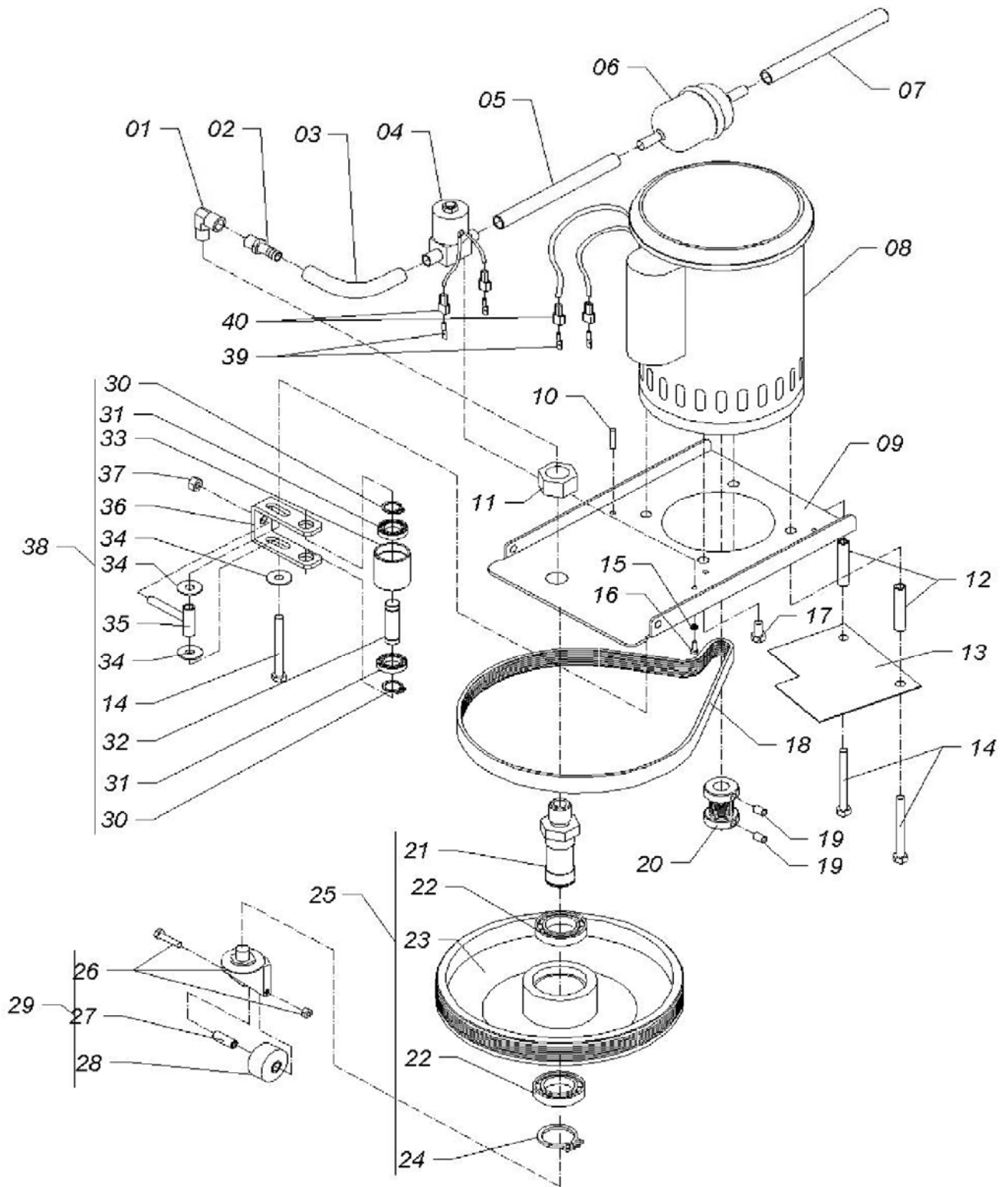
	Ref.	Part No.	Description	Qty.
v		9000450	D Squeegee Assy Kit, 500mm, Ci	1
Y	1	08713	Nut, Hex, Lock, M8 X 1.25, NI, Ss	2
Y	2	140027	Washer, Flat, 0.35b 0.75d .04, Ss	4
Y	3	1010560	D Wheel, Bmpr, 80d X 25w, Non--Marking	2
Y	4	222460	Sleeve, P/M, 0.31b 0.50d 0.5l [430ss]	2
Y	5	1011228	Plate, Mtg, Caster, Sqge, Rh	1
Y	6	74455	Screw, Hex, M6 X 1.0 X 12, Fmg	2
Y	7	32716	Nut, Hex, Jam, M10 X 1.5, Ss	2
Y	8	1006343	D Caster, Swivel, 50mmd, M10 X 30 Stem, Pl	2
Y	9	1010558	D Knob, Star, 2.00d 4ear .73l M8x1.25 Thru	4
Y	10	1011163	Frame, Sqge, 74cm [50cm] Die Cast	1
Y	11	09011	Screw, Hex, M8 X 1.25 X 30, Ss	2
Y	12	07786	Nut, Hex, Std, M8 X 1.25, Ss	4
Y	13	1019919	Retainer, Sqge, 76cm [50cm] Nyl, Blk	1
Y	14	1014163	Screw, Hex, M8 X 1.25 X 60, Fl, Ss	4
Y	15	1011956	Plate, Mtg, Caster, Sqge, Lh	1
Y	16	1011232	D Blade, Sqge, Front, 500mml Linatex (Standard)	1
Y	17	1011456	D Blade, Sqge, Rear, 32.7l, Linatex[500mm] (Standard)	1
Y	18	1013933	Strap Assy, Sqge, 500mm	1
	19	1014079	Clip, Grip, Hose	1
	20	FX20060C	HOSE,SQUEEGEE FOX	1 Include No.19

v ASSEMBLY

Y INCLUDED IN ASSEMBLY

D RECOMMENDED STOCK ITEMS

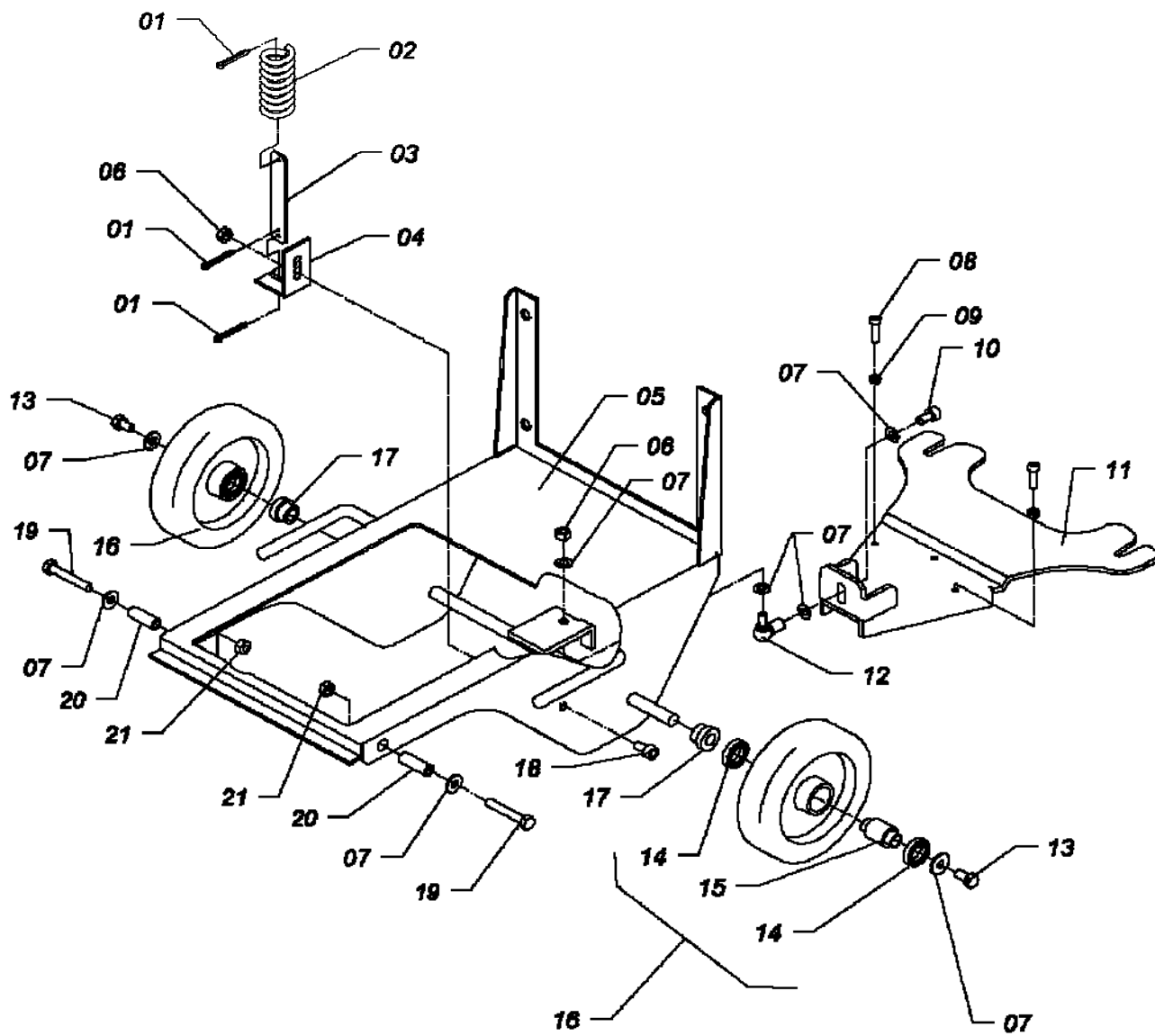
# BASE KIT



# BASE KIT

Ref.	Part No.	Description	Qty	Harmonized code
	FX14000C	BASE KIT	1	
01	MT14010	FITTING,BRASS,90M/F 1/4 NPT	1	7412.10.00
02	MT14011	ADAPTER,BRASS3/8"-1/4	1	7412.10.00
03	FX14090	HOSE,SILICON,SOLUTION	1	3907.20.11
04	MT17002T	SOLENOYD 200V	1	8481.80.92
05	FX14080	HOSE,SILICON,SOLUTION,FILTER	1	3907.20.11
06	BV19010N	FILTER,TANK, SOLUTION	1	8421.39.90
(*) 07	FX14075	HOSE,SILICON,FOX	1	3907.20.11
08	FX15110	MOTOR.SINGLE-PHASE	1	NO
09	FX14010	PLATE,BASE	1	8479.90.90
10	TW31001	PIN,RETAINER6X20MM HEAVY	1	8479.90.90
11	MT50002	NUT,HEX M22 X 2.5	1	7318.16.00
12	FX14030	BUSHING, PLATE,PROT.SHEAVE	2	7318.29.00
13	FX14020	PLATE,PROT.SHEAVE,MOTOR	1	7209.27.00
14	FX40002	SCREW CS 3/8X2.3/4"	3	7318.15.00
15	AR6040	WASHER,PRESS 4.5X7.0X1.0	2	7318.21.00
16	09206	SCREW, HEX, M4 X 0.70 X 12, 8.8	2	7318.15.00
17	FX40001	SCREW CS 3/8X12"	1	7318.15.00
18	FX14040	DRIVE BELT, MICRO-V	1	4010.19.00
19	MT44003	SCREW SCSI M8X8	2	7318.15.00
20	FX15020Z	SHEAVE, MOTOR	1	8479.90.90
21	MT14005	SHAFT,FITTING	1	8479.90.90
22	MT14004	BEARING6006 2RS	2	8482.10.90
23	FX14051	HUB,DRIVE,SHEAVE	1	8479.90.90
24	MT30002	RETAINER,RING,E-30	1	7318.29.00
25			1	
26				
27				
28				
29	MT14029N	CASTER KIT		Includes 26,27,28
30				
31				
32				
33				
34				
35				
36				
37				
38	FX14060	SUPPORT, TENSIONER	1	Includes 30---37
39	AMP001	PLUG, MALE(626418-1)	4	8536.90.90
40	AMP003	COVER,CONNECTOR 735093-0	4	8547.20.00
	130773	TIE, CABLE, NYL, 11.0L, .14W, 3.0	2	

# CHASSIS KIT

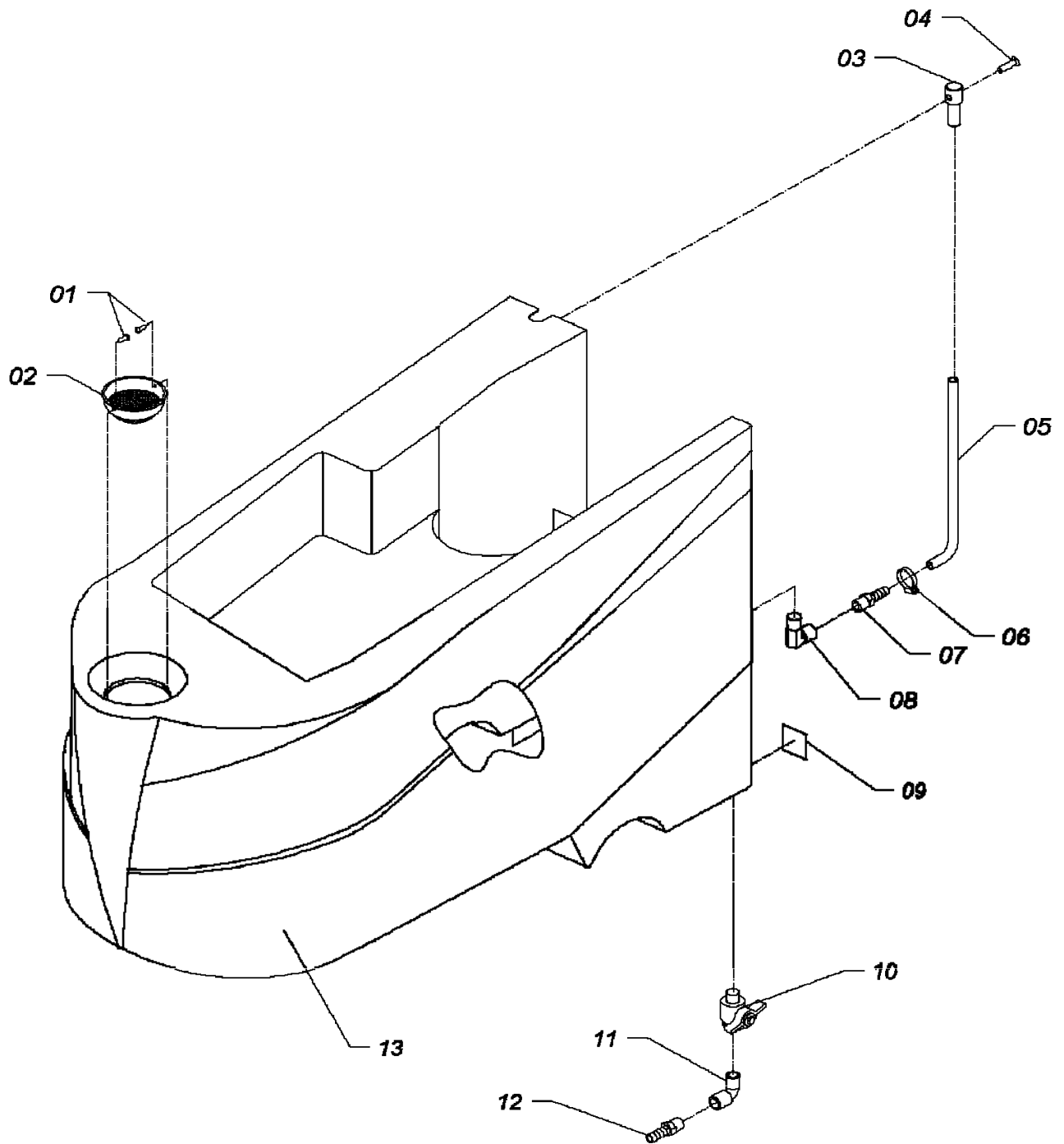


# CHASSIS KIT

Ref.	Part No.	Description	Qty	Harmonized code
	FX16000C	CHASSIS KIT	1	
01	08182	PIN, COTTER, .125 X 1.00	3	7318.24.00
02	MT16020	SPRING,PRESSION3.2X28X82.3	1	7320.20.10
03	MT16019	SUPPORT,GUIDE,SPRING	1	8479.90.90
04	TS17500-59N	SUPPORT SPRING	1	8479.90.90
05	FX16010	CHASSIS	1	8479.90.90
06	07786	NUT,HEX M8	2	7318.16.00
07	01685	WASHER, FLAT, 0.38B 0.88D .08	7	7318.22.00
08	FX44001	SCREW, M6 X 30	2	
09	07785	NUT,HEX M6	2	7318.16.00
10	MT44011	SCREW SCSI M8X20	1	NO
11	FX16030C	SUPPORTM,SQGE	1	8479.90.90
12	TS2124-3N	BALLJOINT M8	1	7318.15.00
13	49826	SCREW CS M8X16 4.5X7.0X1.0	2	7318.15.00
14				
15				
16	MT16043TC	WHEEL, BEARING, SLEEVE	2	Includes 14,15
17	FX16020	BUSHING,GUIDE,COVER	2	7318.29.00
18	MT44004	SCREW CCSI M8X12	1	7318.15.00
19	222504	SCREW, HEX, M8 X 1.25 X 55, SS	2	7318.15.00
20	MT13043	BUSHING,SQGE	2	7318.29.00
21	08713	NUT,HEX M8 SELF-LOCKING	2	7318.16.00

(\*) FROM EQUIPMENT NUMBER 70051 CODE FX14075

# TANK KIT, SOLUTION





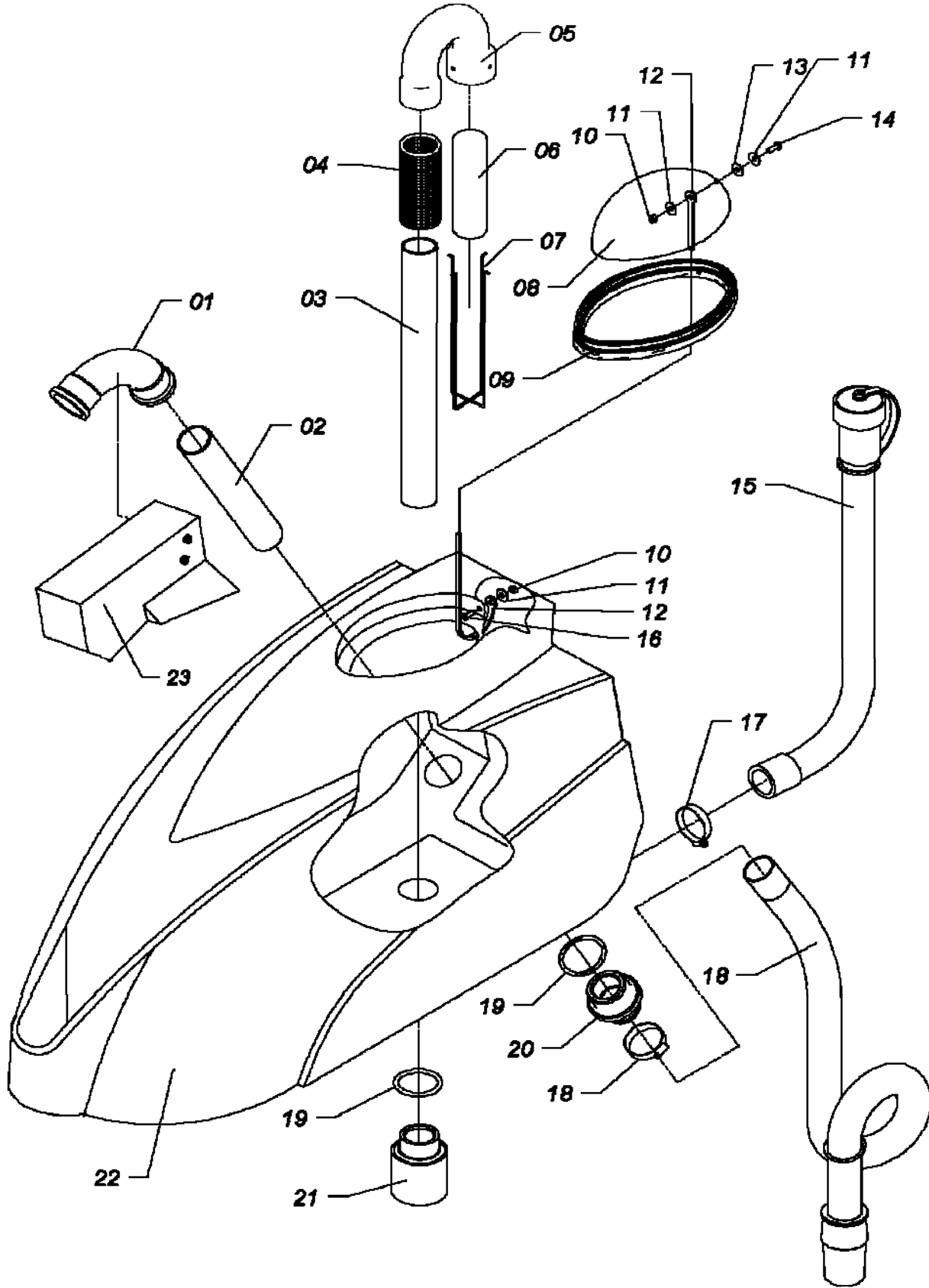
# TANK KIT, SOLUTION

Ref.	Part No.	Description	Qty	Harmonized code
	FX19000C	TANK KIT, SOLUTION	1	
01	140825	SCREW, PAN, PHL, 06 X 0.50, FMG/AB	2	7318.14.00
02	FX19050	FILTER,TANK	1	3924.10.00
03	FX19040	STRAP,HOSE	1	3926.90.90
04	MT41002	SCREW CE M6X25 STAINLESS STEEL	1	7318.15.00
05	FX19030	DRAIN HOSE,SOLUTION,TANK	1	3917.31.00
06	ABR300	CLAMP 14-22	1	7326.90.90
07	TW22022	HOSE,ADAPTER,1/2-3/8NPT	1	7412.10.00
08	FX19020	FITTING,BRASS,90M/F 3/8 NPT	1	7412.10.00
09	MT19007C	LABEL, WATER FLOW [L2]	1	
10	FX19060	WATER VALVE,BRASS	1	8481.80.99
11	MT14010	FITTING,BRASS,90MF 1/4NPT	1	7412.10.00
12	MT17005	ADAPTER,BRASS MG.3/8X1/4 BSP	1	7412.10.00
13	FX19010C	TANK.SOLUTION	1	3901.10.10

\*01 ASSEMBLY UNTIL EQUIPMENT NUMBER 70050

\*02 ASSEMBLY FROM EQUIPMENT NUMBER 70051

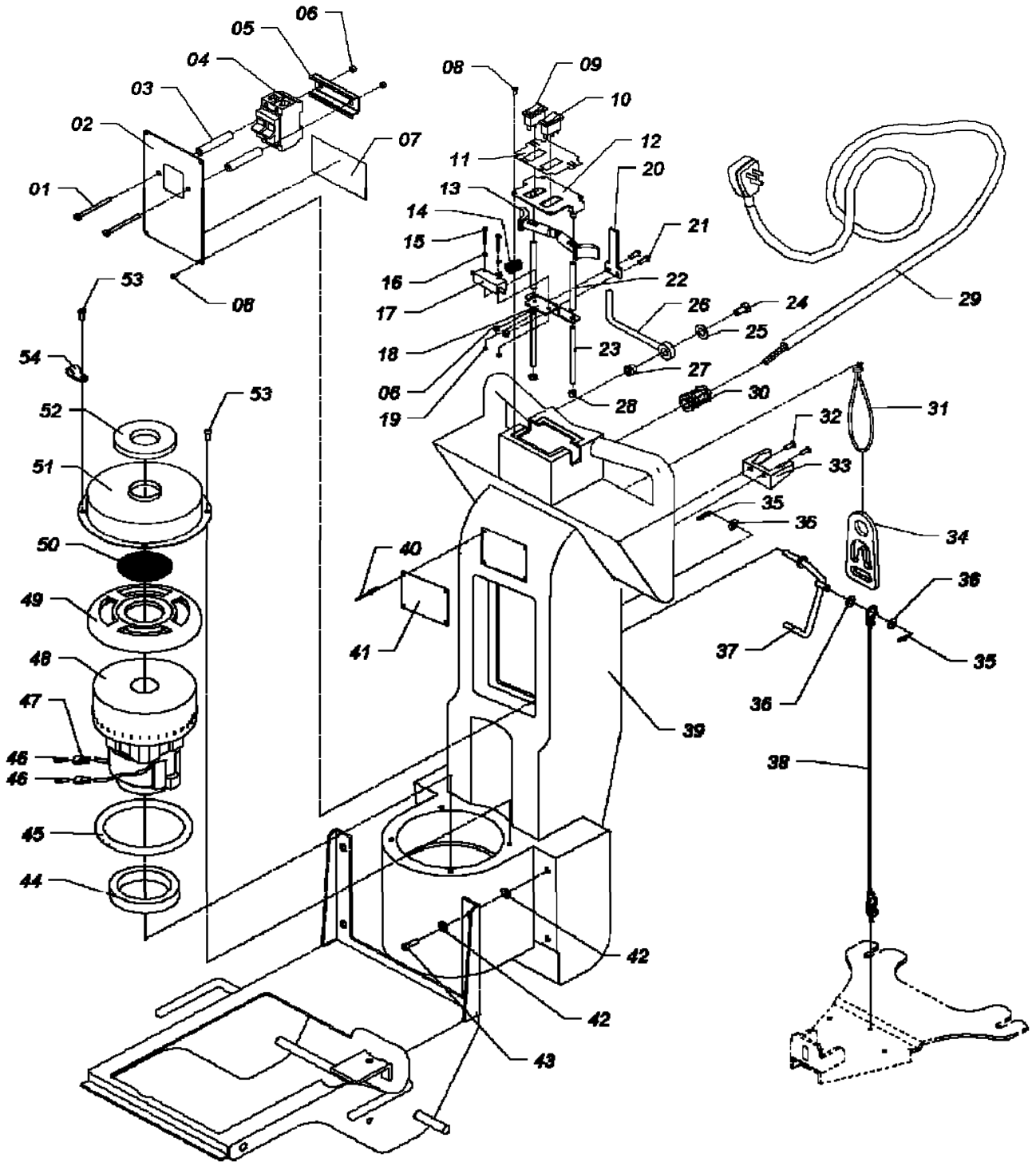
# TANK KIT, RECOVERY



## TANK KIT, RECOVERY

Ref.	Part No.	Description	Qty	Harmonized code
	FX20000C	TANK KIT, RECOVERY	1	
01	FX20021	FITTING,PLSTC 401X90°	1	3917.40.00
02	FX20020	TUBE,VACUUM,SQGE	1	8479.90.90
03	FX20030C	TUBE,VACUUM,HYD MOTOR KIT	1	8479.90.90
04	MT18156	FILTER,CLOTH	1	8479.90.90
05	FX20041	FLOAT,BODY	1	3901.10.10
06	FX20046C	FLOAT,SHUT-OFF	1	8479.90.90
07	FX20043C	WIRE SS,FLOAT SHUT-OFF	1	8479.90.90
08	FX20051	COVER,VACUUM	1	8479.90.90
09	FX20052	GASKET,REC,TANK,LID	1	4008.11.00
10	09739	NUT, HEX, LOCK, M5 X 0.80, NL, SS	2	7318.16.00
11	01683	WASHER, FLAT, 10, SS	3	7318.22.00
12	MT19607A	STRAP,COVER,B70	1	4016.93.00
13	AR1020	WASHER,RUBBER,5.0X16.2X2.0	1	4016.93.00
14	09200	SCREW, PAN, PHL, M5 X	1	4016.93.00
15	1043538	HOSE ASSY, DRAIN, 1.50ID X 29.5L	1	NO
16	BV44010	SCREW CE M5X25 STAINLESS STEEL	1	7318.15.00
17	TA2101	CLAMP44-57MM	2	7326.90.90
18	FX20060C	HOSE,SQUEEGEE	1	3917.31.00
19	MT20602	O'RING 49X5MM B70	2	4016.93.00
20	FX20080A	HOSE,COUPLING	1	4202.12.10
21	FX20031A	COUPLING,TANK REC/MTB FOX		4202.12.10
22	FX20010C	TANK,RECOVERY	1	3901.10.10
23	FX20121C	DEFLECTOR, FOAM	1	
	FX20090	DEFLECTOR, WATER, RECVY	1	

# PANEL KIT



# PANEL KIT

Ref.	Part No.	Description	Qty	Harmonized code
	FX22000C	PANEL KIT	1	
01	FX40003	SCREW CS M5X75	2	7318.15.00
02	FX22050	COVER,SWITCH	1	8479.90.90
03	BV13043	BUSHING,SQGE 64MM	2	7318.29.00
04	MT26152T	CIRCUIT BREAKER,ECOCLEAN TELEMEC	1	8536.20.00
05	FX22051	STRAP,SWITCH	1	8479.90.90
06	06549	NUT, HEX, LOCK, M5 X 0.80, NL	4	
07	1057328	LABEL, ELECTRICAL [L2]	1	
08	140825	SCREW, PAN, PHL, 06 X 0.50, FMG/AB	8	
09	MT22217	SWITCH,RED CLR	1	8536.50.90
10	MT22218	SWITCH,YELLOW CLR	1	8536.50.90
11	1057329	LABEL, SWITCH, CONSOLE [L2]	1	
12	FX22021	PLATE,PANEL	1	7209.27.00
13	FX22023	ARM,CONTROLBOX,TRIGGER	2	3926.90.90
14	ML1781	SPRING,ST.STEEL,AIR/FILTER	1	7320.20.10
15	33933	SCREW, PAN, PHL, M3 X 0.50 X 25, SS	2	
16	1047102	WASHER, RIVET	4	
17	606292	SWITCH, PUSH, ACTUATOR, 20A	1	
18	FX22025	PLATE MICRO	1	8479.90.90
19	07807	NUT, HEX, STD, M3 X 0.50, A2, SS	2	
20	FX22026	PLATE,DRIVE,MICRO FOX	1	8479.90.90
21	06933	SCREW, PAN, PHL, M5 X 0.80 X 16, 4.8	2	
22	FX22024	BUSHING,DISTANCE,MICRO	2	7318.29.00
23	MT18019	STUD,SUP HYD MOTOR KIT,PLSTC	2	NO
24	16931	SCREW, HEX, M8 X 1.25 X 20, 8.8	1	
25	01685	WASHER, FLAT, 0.38B 0.88D .08, SS	1	
26	FX22055	SUPPORT,CABLE	1	8479.90.90
27	BV16032	WEDGE,BUSHING,12MM	1	8479.90.90
28	07785	NUT, HEX, STD, M6 X 1.00, SS	2	
29	9006823	CORD, POWER	1	Cord
29	1067940	CORD, POWER India used in 9008911	1	Cord in India
30	FX22080	CLAMP, CABLE	1	
31	MT22020	RUBBER BAND, CABLE	1	8479.90.90
32	MT42001	SCREW, M5 X 16, SS	4	
33	MT19604	SUPPORT,HOSE B70,PLST	1	8479.90.90
34	MT07915N	STRAP,CABLE	1	8479.90.90
35	TE007	CLIP,ROD CI.216.009	2	7320.20.10

# STANDARD PARTS

---

## PANEL KIT

Ref.	Part No.	Description	Qty	Harmonized code
36	140027	WASHER, FLAT, 0.35B 0.75D .04, SS	4	
37	FX22060C	LEVER,LIFT,SQGE,UPPER	1	8479.90.90
38	FX22065C	CABLE,LIFT,SQGE,UPPER	1	7326.20.00
39	FX22010	PANEL FOX	1	3901.10.10
40				
41				
42	01684	WASHER, FLAT, 0.27B 0.69D .05, SS	8	
43	FX44002	SCREW, M6 X 20	4	
44	AGV181	GASKET,BY PASS	1	8479.90.90
45	FX22030	CHOCK,VACUUM,UPPER	1	8479.90.90
46	AMP001	PLUG,MALE(626418-1)	2	8536.90.90
47	AMP003	COVER,CONNECTOR 735093-0	2	8547.20.00
48	L11654913	MOTOR KIT,VACUUM,W220-BP ACUSTEK	1	8414.80.90
49	ACC500	CHOCK,VACUUM	1	4016.93.00
50	ATP501	SCREEN,PROTECT,RND	1	8479.90.90
51	FX22045	FLING,MTB FOX	1	8479.90.90
52	FX22040	SEAL,DISK,FLNG,HYD MOTOR	1	4006.90.00
53	09200	SCREW, PAN, PHL, M5 X	5	
54	MT22613	CLAMP NX4 BLACK COLOUR	1	7326.90.90
	1057482	WASHER, FLAT, 0.328B 0.571D 0.063, SS	2	
	07789	NUT, HEX, FLNG, M5 X 0.80	1	

# ELECTRICAL SCHEMATIC DRAWING

